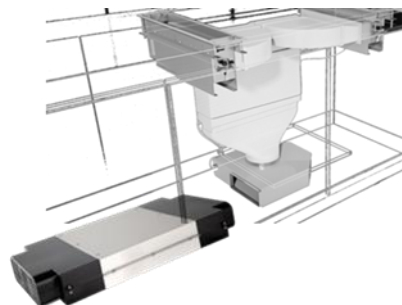


## Technical Data

<b>Model</b>	<b>QUADRO 800R Horizontal</b>
Art. Code	8780
Height mm	92
Width mm	280
Length mm	540
Air inlet mm	220 x 90
Net weight kg	6
Gross weight kg	7,5
Packaging dimensions cm	31 x 66 x 11
Activation	Automatic activation at 1 m/sec. Air flow by means of integrated electronic sensor
Power	220 VAC via 150 cm cable and Europlug socket (class 2, 2 pin)
Electrical operation	Primary: 210-250 V, 50 Hz Secondary: HS 5 kV, 5 Hz approx.
Frame material	AlMg3 aluminium, PA6
Absorbed power	Max 10 W
Stand-by consumption	Max 0.5 W
Use	Filter for hobs with integrated "hob + hood" or "downdraft" hood
Performance	Suitable for hoods with high-performance motors (up to a net value of 800 m <sup>3</sup> /h).
Please Note	Adding the plasma filter to the hood does not in any way increase the noise of the hood itself.
Accessories included.	--
Optional accessories	Plinth Grille Mod. 7025 WxHxD 264x113x81 mm Plinth Grille Mod. 7026 WxHxD 264x100x81 mm
Warranty	5 years
Certificates	CE, VDE, IUTA
Instruction manual	English, Italian, German



Horizontal connection with motor towards the floor

